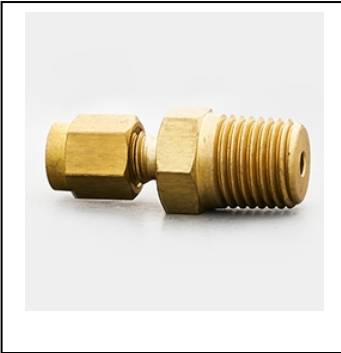


CF2512RB/CF5018BR (BRASS)



CF2512BR

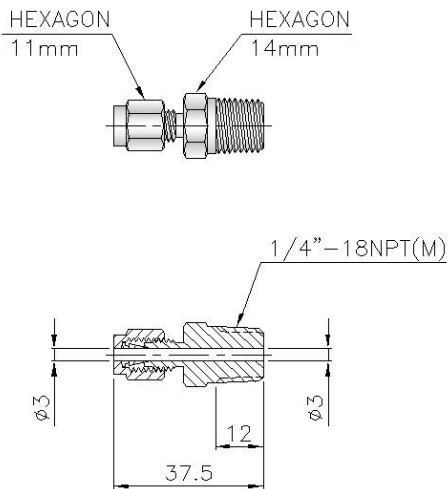


CF5018BR



Compression fittings are used for connecting metal tubes useful for high and low temperature applications and compatibility with aggressive fluids these can be seen in systems varying from gas lines in refineries, to waste and water applications across all industries.

CAD



CF2512BR

1/4" NPT X 1/8" TUBE

CF5018BR

1/2" NPT X 3/16" TUBE