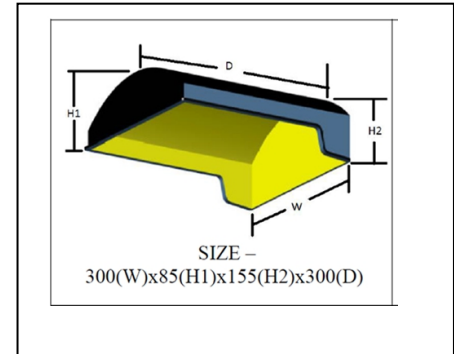
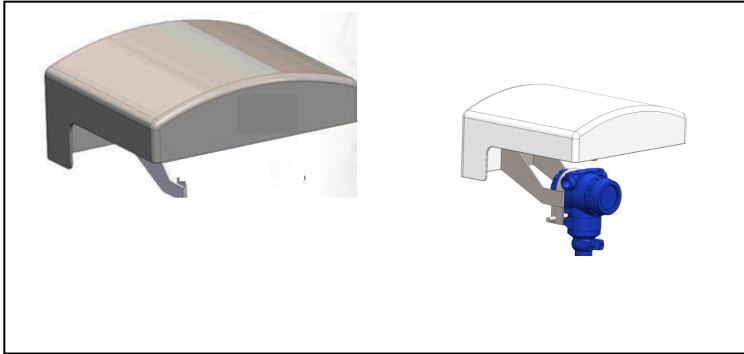


# SUNSHADE



## Product Name – Sunshade

### Product Features-

- Designed to provide a barrier against the effects of climate, dust and dirt, accidental damage, corrosion and tampering
- The system uses specially designed manifolds which allow direct instrument mounting.
- This eliminates the need for extra bracketing, cuts installation cost and reduces potential leak points

### Sizes Available

Available as per the site requirement

