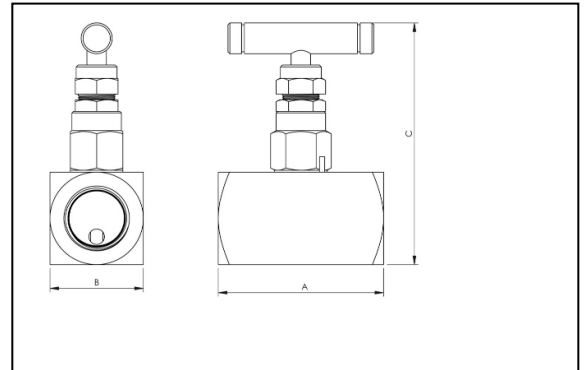


NEEDLE VALVE-NVHB



Product Name - NVHB Series - Bar Stock Needle Valve, 10,000 psi

Product Description -

HAVI Bar Stock High Pressure Needle Valves are manufactured from Bar Stock and are 100% Factory tested for better reliability and

consistency in Leak proof Performance.

OPENIGS

Part No.(HAVI)	Quantity	NPTF	NPTF2	A	B	O-Orifice
NVHB-4F	<input type="text"/>	1/4"	1/4"	58	32	4
NVHB-6F	<input type="text"/>	3/8"	3/8"	58	32	4
NVHB-8F	<input type="text"/>	1/2"	1/2"	66	32	4
NVHB-12F	<input type="text"/>	3/4"	3/4"	72	38	8
NVHB-16F	<input type="text"/>	1"	1"	85	48	8

Product Feature -

Working Pressure of 10000 psi

Non rotating tip design to eliminate rotation between Seat and Tip.

Available in Straight, angle and cross configuration.

Stainless Steel Construction with options of packing for high temperature applications.

Colour coded dust caps for identification of Valve type.

100% Factory Tested.

Metal to Metal Seating.

Thread Rolled and Burnished Stem.

Differential hardened tip for life enhancement.