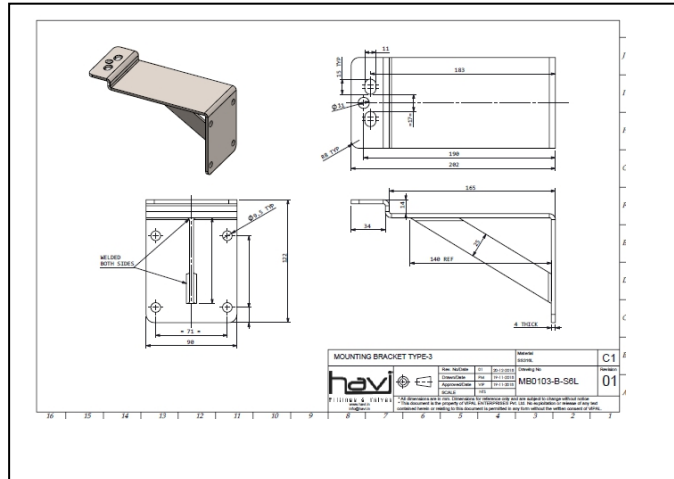
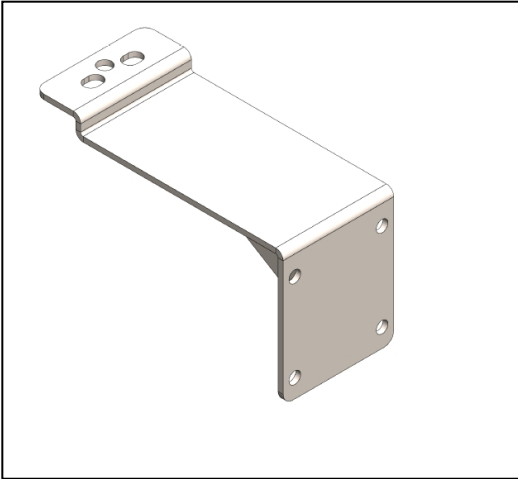


# MOUNTING BRACKET TYPE-3



## Product Name – Mounting Brackets

### Product Features-

- The Bracket fits Seated Remote Mounted Manifolds.
- The bracket is designed for 2" pipe mounting and gives full clearance for ease of handle operation

### Sizes Available

Available as per the site requirement

