

1014PSET/1016PSET

Stainless Steel 304/316 explosion proof Thermocouple head provided with ATEX certification. The connection head accommodates a terminal block or transmitter 2" (50mm) in diameter.



- EXPLOSION-PROOF CERTIFIED
- IP68 CERTIFIED
- WIDE SELECTION OF CONDUIT SIZES
- WIDE RANGE OF ACCESSORIES

Material of Construction : S.S.304/S.S.316

Certification : ATEX

Connections : 1/2"NPT,3/4"NPT,M20X1.5 P

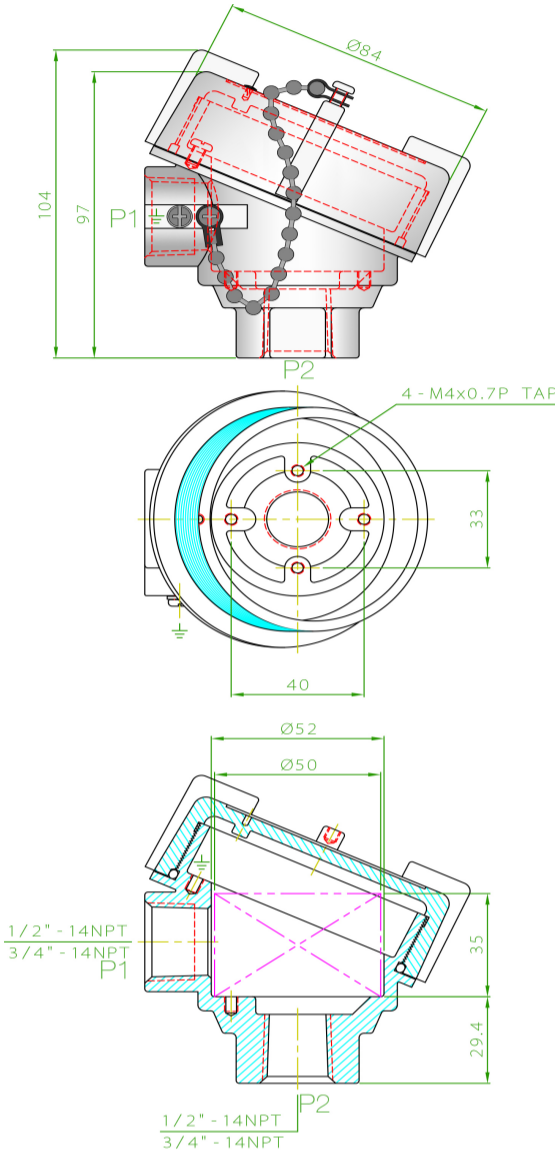
Mounting Holes : See Attached Drawing

Surface Finishing : S.S.

"O" Ring : Buna "N"

Weight : 1.22 KG (2.7 LBS)

"Accessories" : Terminal Block (Ceramic / Bakelite)



II2 G Exd II C Gb II 2D Ex tb IIIC Db IP68

MODEL	SIZE(P1-P2)	DESCRIPTION
1014PSET-01	3/4" x 1/2" NPT	304 S.S Explosion Proof Thermocouple head ATEX cert. IP68
1014PSET-02	1/2" x 1/2" NPT	304 S.S Explosion Proof Thermocouple head ATEX cert. IP68
1014PSET-03	3/4" x 3/4" NPT	304 S.S Explosion Proof Thermocouple head ATEX cert. IP68
1014PSET-08*	M20X 1.5 X 1/2" NPT	304 S.S Explosion Proof Thermocouple head ATEX cert. IP68
1014PSET-09*	M20X 1.5 X 3/4" NPT	304 S.S Explosion Proof Thermocouple head ATEX cert. IP68
1014PSET-10*	1/2" x 3/4" NPT	304 S.S Explosion Proof Thermocouple head ATEX cert. IP68
MODEL	SIZE(P1-P2)	DESCRIPTION
1016PSET-01	3/4" x 1/2" NPT	316 S.S Explosion Proof Thermocouple head ATEX cert. IP68
1016PSET-02	1/2" x 1/2" NPT	316 S.S Explosion Proof Thermocouple head ATEX cert. IP68
1016PSET-03	3/4" x 3/4" NPT	316 S.S Explosion Proof Thermocouple head ATEX cert. IP68
1016PSET-08*	M20X 1.5 X 1/2" NPT	316 S.S Explosion Proof Thermocouple head ATEX cert. IP68
1016PSET-09*	M20X 1.5 X 3/4" NPT	316 S.S Explosion Proof Thermocouple head ATEX cert. IP68
1016PSET-10*	1/2" x 3/4" NPT	316 S.S Explosion Proof Thermocouple head ATEX cert. IP68

*P1:Conduit Size. *P2:Instrument Connection.

*THESE PRODUCTS
UPON REQUEST WITH EXTRA LEAD TIME