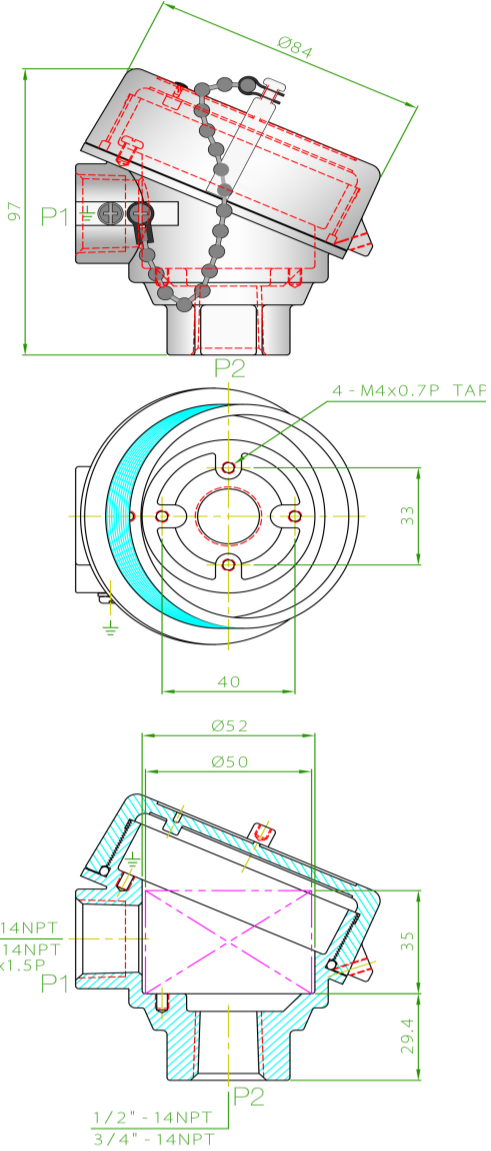


1010PWET



Aluminum explosion proof Thermocouple head, Epoxy coated blue., provided with ATEX certification and IP68 rating. The connection head accommodates an elliptical block or transmitter 2" (50mm) in diameter.



- EXPLOSION PROOF CERTIFIED
- IP68 CERTIFIED
- WIDE SELECTION OF CONDUIT SIZES
- OPTION FOR A CUSTOMIZED SS HALF MOON NAME PLATE

Material of Construction : Die-Cast Aluminum or* Copper free Aluminum

Certification : ATEX

Connections: : 1/2" NPT, 3/4" NPT, M20 X 1.5P

Mounting Holes: : See attached Drawing

Surface Finishing: : Epoxy Blue (custom color)*

"O" Ring: : Buna "N"

Weight: : 0.5 KG (1.1lbs)

Accessories: : Terminal Block(Ceramic or Bakelite)



II 2 G Exd II C Gb II 2 D Ex tb III C Db IP68

| MODEL | SIZE(P1-P2) | DESCRIPTION |
|--------------|----------------------|--|
| 1010PWET-01 | 3/4" x 1/2" NPT | Aluminum Explosion Proof Thermocouple head ATEX cert. IP68 |
| 1010PWET-02 | 1/2" x 1/2" NPT | Aluminum Explosion Proof Thermocouple head ATEX cert. IP68 |
| 1010PWET-03 | 3/4" x 3/4" NPT | Aluminum Explosion Proof Thermocouple head ATEX cert. IP68 |
| 1010PWET-08* | M20 x 1.5 x 1/2" NPT | Aluminum Explosion Proof Thermocouple head ATEX cert. IP68 |
| 1010PWET-09* | M20 x 1.5 x 3/4" NPT | Aluminum Explosion Proof Thermocouple head ATEX cert. IP68 |
| 1010PWET-10* | 1/2" x 3/4" NPT | Aluminum Explosion Proof Thermocouple head ATEX cert. IP68 |

*P1:Conduit Size. *P2:Instrument Connection.

*THESE PRODUCTS UPON REQUEST WITH EXTRA LEAD TIME