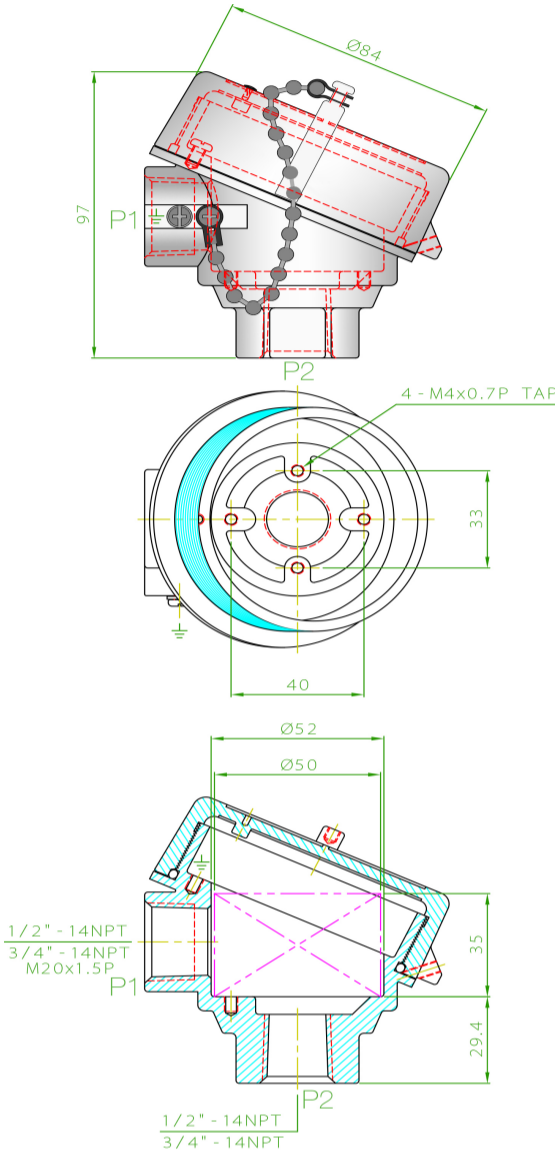


1010PWEM



Aluminum explosion proof Thermocouple head Epoxy coated blue provided with FM, CSA, ATEX, IECEx certifications, NEMA 4X and IP68 rating. The connection head accommodates a terminal block or transmitter 2" (50mm) in diameter.



- EXPLOSION-PROOF CERTIFIED
- NEMA 4X AND IP68 CERTIFIED
- WIDE SELECTION OF CONDUIT SIZES
- OPTION FOR CUSTOMIZED SS HALF MOON NAMEPLATE

Material of Construction : Die-Cast Aluminum or* Copper free Aluminum

Certification : FM / CSA /ATEX / IECEx

Connections: : 1/2"NPT,3/4" NPT,M20 X 1.5P

Mounting Holes: : See attached Drawing

Surface Finishing: : Epoxy Blue (Custom Color)*

"O" Ring: : Buna "N"

Weight: : 0.5 KG (1.1lbs)

Accessories: : Terminal Block (Ceramic or Bakelite)



Class I Div I Groups B,C,D Class II,III Div I e,F,G Type 4x IP68



Class I Div I Groups B,C,D Class II,III Div I Groups E,F,G



II2 g Exd II C Gb IP68 II2 D Ex tb III C D b IP68



Ex d IIC Gb Ex b III C D b

MODEL	SIZE(P1-P2)	DESCRIPTION
1010PWEM-01	3/4" x 1/2" NPT	Aluminum Explosion Proof Thermocouple head
FM/CSA/ATEX/IECEX cert.NEMA 4X IP68		
1010PWEM-02	1/2" x 1/2" NPT	Aluminum Explosion Proof Thermocouple head
FM/CSA/ATEX/IECEX cert.NEMA 4X IP68		
1010PWEM-03	3/4" x 3/4" NPT	Aluminum Explosion Proof Thermocouple head
FM/CSA/ATEX/IECEX cert.NEMA 4X IP68		
1010PWEM-08*^	M20 x 1.5x 1/2" NPT	Aluminum Explosion Proof Thermocouple head
FM/CSA/ATEX/IECEX cert. NEMA 4X IP68		
1010PWEM-09*^	M20 x 1.5x 3/4" NPT	Aluminum Explosion Proof Thermocouple head
FM/CSA/ATEX/IECEX cert. NEMA 4X IP68		
1010PWEM-10*^	1/2" x 3/4" NPT	Aluminum Explosion Proof Thermocouple head
FM/CSA/ATEX/IECEX cert. NEMA 4X IP68		

***P1:Conduit Size. *P2:Instrument Connection.**

*THESE PRODUCTS
UPON REQUEST WITH EXTRA LEAD TIME

* extra lead time on product: Minimum 2000pcs for name tag.

^ extra lead time on these products.