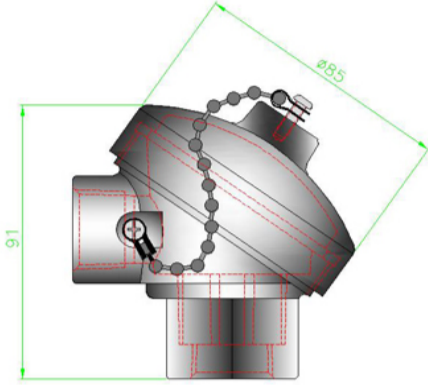


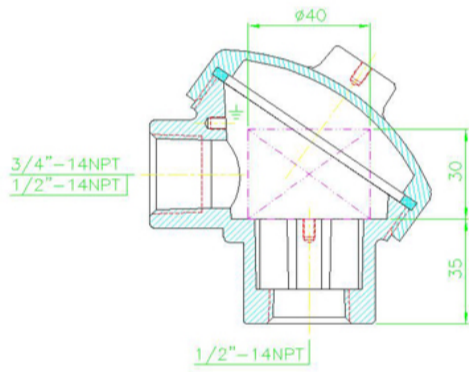
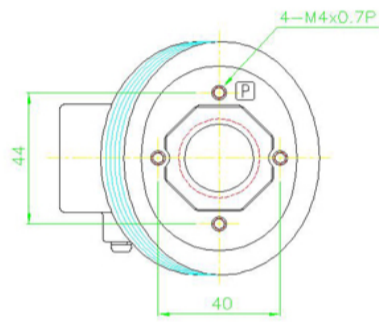
PAL

ALUMINIUM DIE CAST GENERAL PURPOSE CONNECTION HEAD WITH
S.S. BALL CHAIN ATTACHED



- [PAL-01: 3/4" x 1/2" NPT](#)
- [PAL-02 : 1/2" x 1/2" NPT*](#)
- [PAL-03: 3/4" x 3/4" NPT*](#)
- [PAL-04: 3/4" x 1" NPT*](#)

*Long lead time



*THESE PRODUCTS
UPON REQUEST WITH EXTRA LEAD TIME