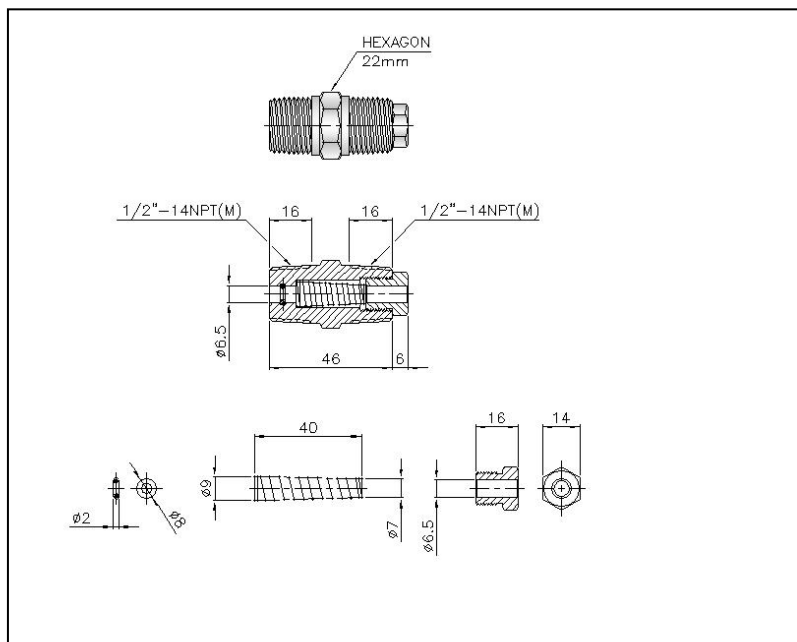
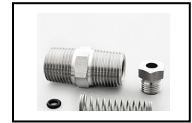


PHS4/6

Stainless Steel hex nipple 1/2" NPT x 1/2" NPT for 1/4" sheath spring loaded with S.S. spring and "o" ring seal. Also available S.S. 316

PICTURE



Sheath Sizes:

- 1/8"
- 3/16"
-

THREADS	SHEATH OD
1/2" X 1/2" NPT	1/4"
1/2" X 1/2" NPT	1/2" *
1/2" X 1/2" NPT	3/16" *

FOOT NOTES

*THESE PRODUCTS UPON REQUEST WITH EXTRA LEAD TIME