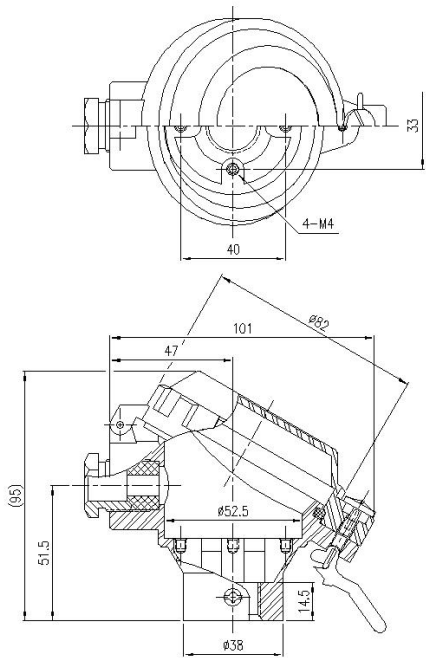


KNP(L)

Aluminum flip top general purpose connection head IP68 rated.



KNP(L)-01: 3/4" X 1/2" NPT

KNP(L)-02: 1/2" X 1/2" NPT

KNP(L)-03: 3/4" X 3/4" NPT

* These products require extra lead time.