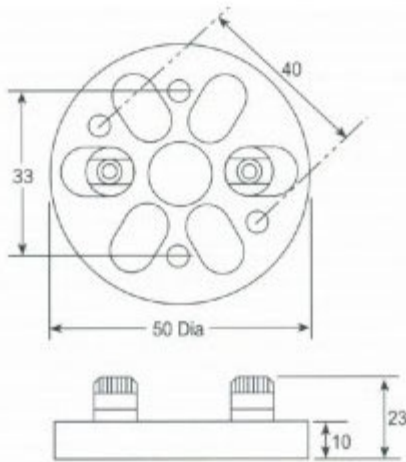


# 8073 Bakelite

DIN style Bakelite terminal block with up to 6 single post screw terminals. Four mounting holes are provided so the block can be mounted in Thermocouple head with 33mm or 40mm center to center mounting provisions.



D

## Model Number Configuration

Model	Description	
8070	2.0" Ceramic Block, Dual Screw Terminals	
8071	2.0" Ceramic Block Single Post Terminals	
8072	2.0" Bakelite Block, Dual Screw Terminals	
8073	2.0" Bakelite Block Single Post Terminals	
	<b>Code</b>	<b>Number of Terminals</b>
	02	Two
	03	Three
	04	Four
	06	Six
↓	↓	
8070	02	<b>Model Number</b>

FOOT NOTES