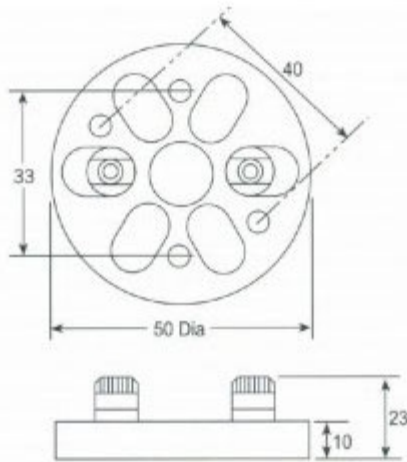


8071 CERAMIC

DIN style Ceramic terminal block with up to 6 single post screw terminals. Four mounting holes are provided so the block can be mounted in Thermocouple head with 33mm or 40mm center to center mounting provisions.



D

Model Number Configuration

Model	Description										
8070	2.0" Ceramic Block, Dual Screw Terminals										
8071	2.0" Ceramic Block Single Post Terminals										
8072	2.0" Bakelite Block, Dual Screw Terminals										
8073	2.0" Bakelite Block Single Post Terminals										
	<table border="1"> <thead> <tr> <th>Code</th> <th>Number of Terminals</th> </tr> </thead> <tbody> <tr> <td>02</td> <td>Two</td> </tr> <tr> <td>03</td> <td>Three</td> </tr> <tr> <td>04</td> <td>Four</td> </tr> <tr> <td>06</td> <td>Six</td> </tr> </tbody> </table>	Code	Number of Terminals	02	Two	03	Three	04	Four	06	Six
Code	Number of Terminals										
02	Two										
03	Three										
04	Four										
06	Six										
8070	02 Model Number										

FOOT NOTES