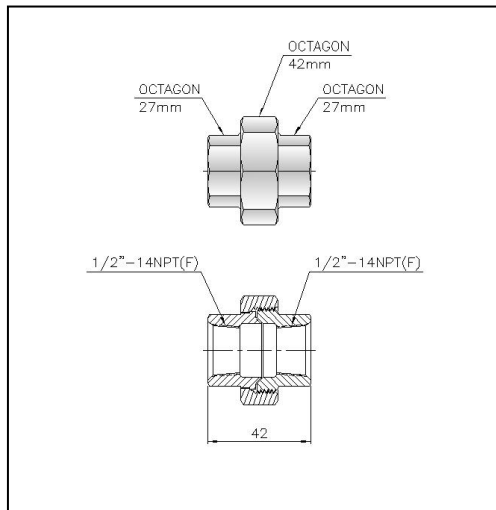
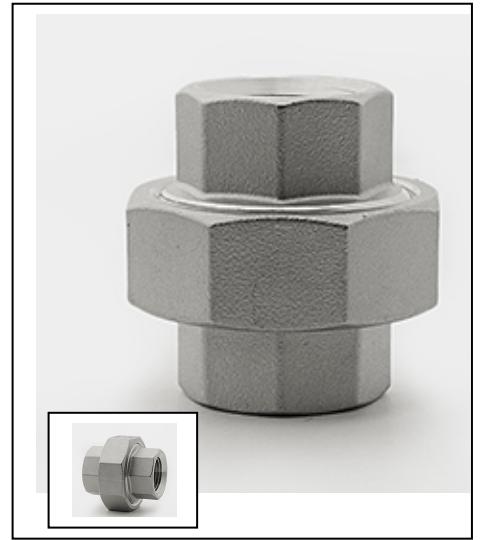


# 5100

Stainless Steel 3-piece union used in conjunction with two nipples to provide thermal insulation to the thermocouple head.



- **METAL seat and used in conjunction with 2 nipples to provide thermal insulation to the Thermocouple Head**
- **1/2" X 1/2" F X F UNION**